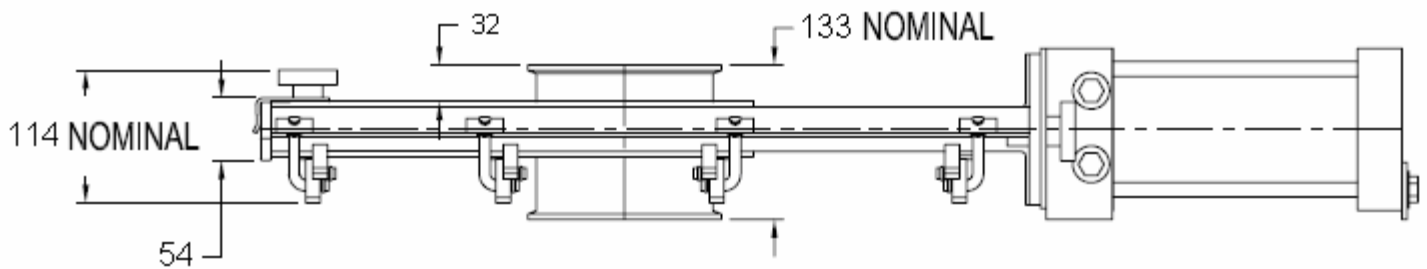
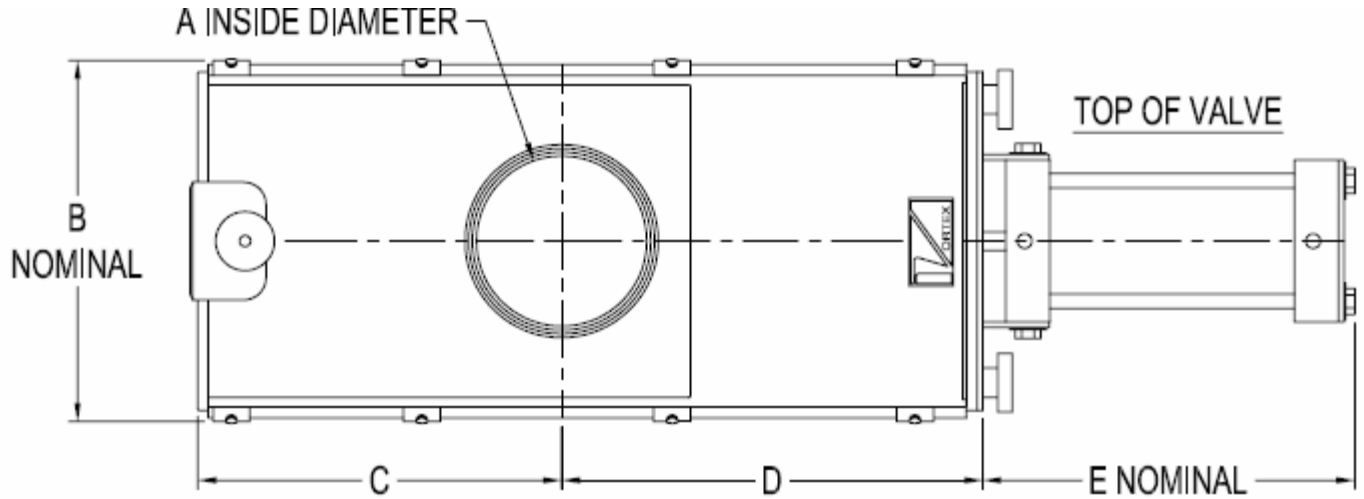


# VORTEX® QUICK CLEAN ORIFICE GATE™ DIMENSIONAL INFORMATION

All dimensions are in millimeters



Information subject to change without notice.

ITEM ID	TUBE SIZE	A	B	C	D	E	APPROX. WEIGHT
QC50	50	47	203	162	212	190	13.64 KG
QC80	76	73	228	200	250	215	18.19 KG
QC100	101	85	254	238	288	263	22.73 KG
QC125	127	123	279	263	327	288	27.28 KG
QC150	152	136	304	314	365	314	36.37 KG
QC200	203	188	355	390	441	339	50.00 KG

## VALVE MODIFICATIONS

S	316L STAINLESS STEEL MATERIAL CONTACT.
SAN	VALVE MODIFIED TO BE USDA DAIRY STANDARD ACCEPTED.
NP	NICKEL PLATED ALUMINUM AIR CYLINDER FOR CORROSIVE ENVIRONMENTS.

## ACCESSORIES

- MANUAL 2 OR 3-POSITION LEVER
- NEMA 4, NEMA 7/9, OR ATEX RATED DOUBLE OR SINGLE SOLENOIDS
- AIR ACTUATION ONLY
- MAGNETIC REED INDICATION SWITCHES ONLY
- VENTED BALL VALVE
- AVAILABLE IN STAINLESS STEEL ONLY

Copyright©2006 Salina Vortex® Corporation. All Rights Reserved. QC09-2006.

**For more information, please contact Vortex® at 1.888.829.7821 or visit our website at [www.vortexvalves.com](http://www.vortexvalves.com).**