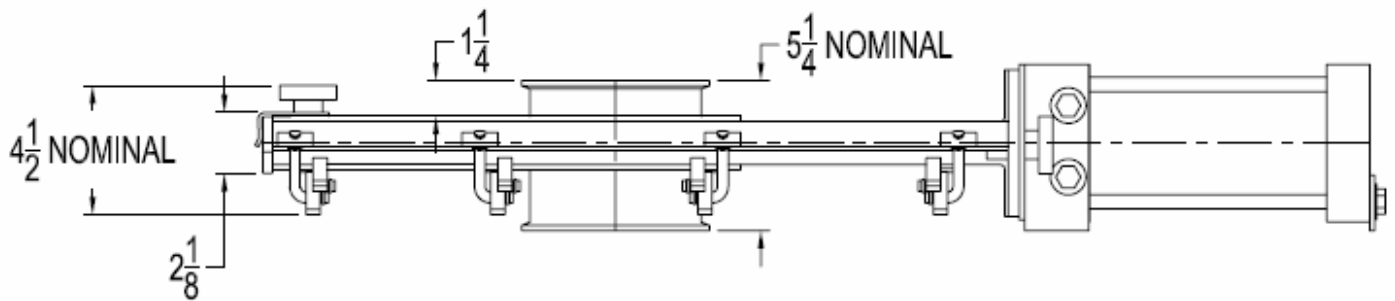
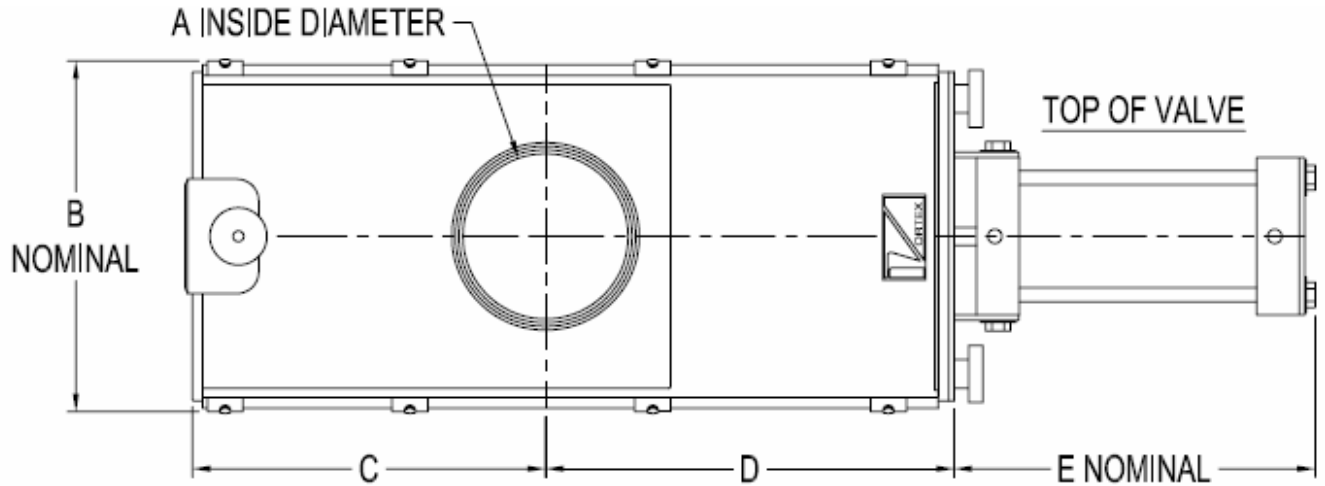


VORTEX® QUICK CLEAN ORIFICE GATE™ DIMENSIONAL INFORMATION

All dimensions are in inches.



Information subject to change without notice.

ITEM ID	TUBE SIZE	A	B	C	D	E	APPROX. WEIGHT
QC02	2	1-7/8	8	6-3/8	8-3/8	7-1/2	30 LBS
QC03	3	2-7/8	9	7-7/8	9-7/8	8-1/2	40 LBS
QC04	4	3-7/8	10	9-3/8	11-3/8	10-3/8	50 LBS
QC05	5	4-7/8	11	10-7/8	12-7/8	11-3/8	60 LBS
QC06	6	5-7/8	12	12-3/8	14-3/8	12-3/8	80 LBS
QC08	8	7-7/8	14	15-3/8	17-3/8	13-3/8	110 LBS

VALVE MODIFICATIONS

S	316L STAINLESS STEEL MATERIAL CONTACT.
SAN	VALVE MODIFIED TO BE USDA DAIRY STANDARD ACCEPTED.
NP	NICKEL PLATED ALUMINUM AIR CYLINDER FOR CORROSIVE ENVIRONMENTS.

ACCESSORIES

- MANUAL 2 OR 3-POSITION LEVER
- NEMA 4, NEMA 7/9, OR ATEX RATED DOUBLE OR SINGLE SOLENOIDS
- AIR ACTUATION ONLY
- MAGNETIC REED INDICATION SWITCHES ONLY
- VENTED BALL VALVE
- AVAILABLE IN STAINLESS STEEL ONLY

Copyright©2006 Salina Vortex® Corporation. All Rights Reserved. QC09-2006.

For more information, please contact Vortex® at 1.888.829.7821 or visit our website at www.vortexvalves.com.