

# B SERIES ORIFICE GATE VALVE



## SALINA VORTEX® CORPORATION

3024 Arnold Avenue Salina, Kansas 67401-8105

Telephone (785) 825-7177 Fax (785) 825-7194

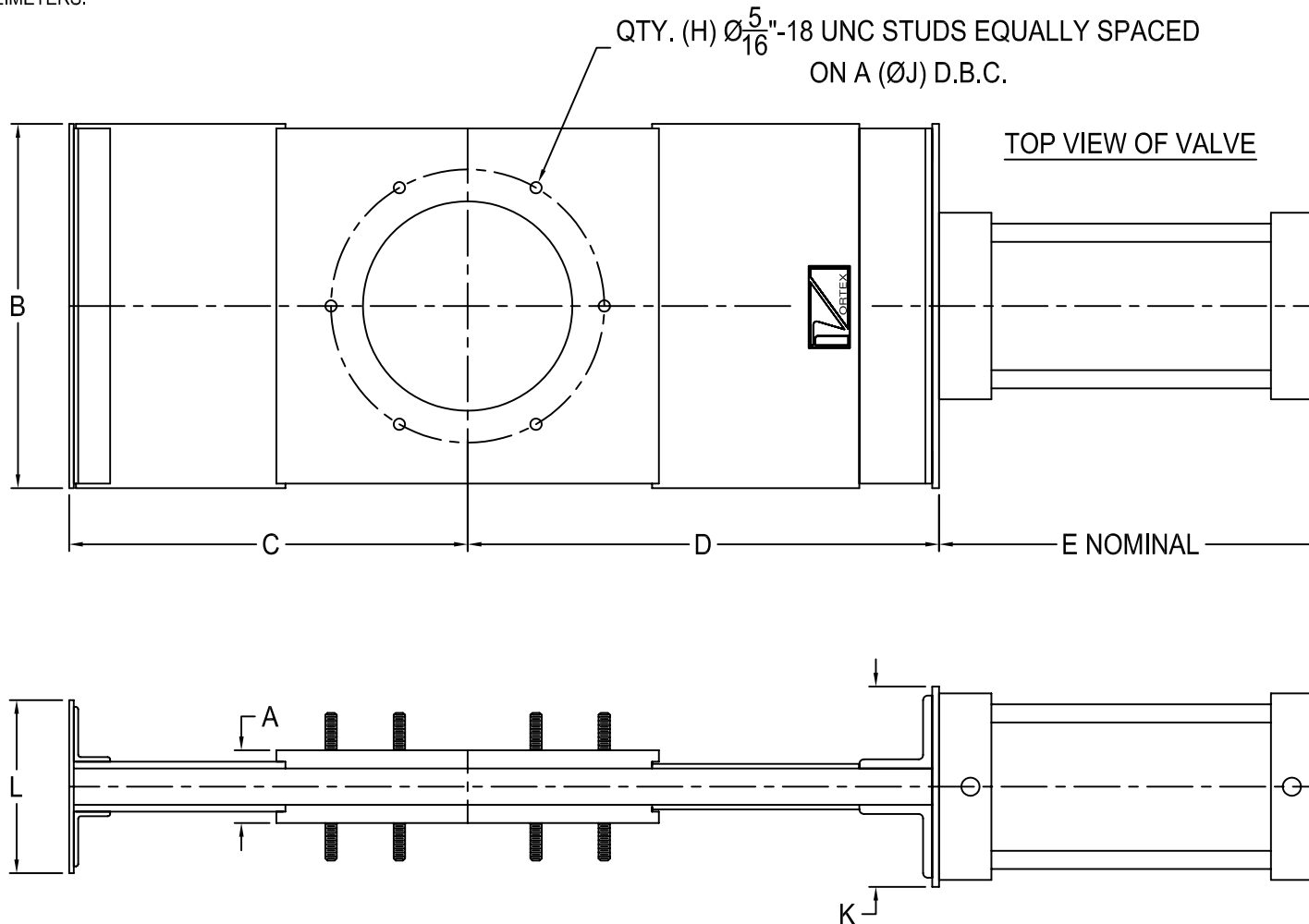
Home Page: [www.vortexvalves.com](http://www.vortexvalves.com) / e-mail: [vortex@salinavortex.com](mailto:vortex@salinavortex.com)

MODEL: B (SIZE)

DIMENSIONAL INFORMATION PAGE 1 OF 1

Model	Gate Size	A	B	C	D	E	F	G	H	J	K	L	WT. (Kg.)	Nominal Flow Rate
B02	50	45	127	115	159	146	51	102	4	83	102	92	6	4 CM/Hr.
B03	75	45	152	153	194	172	77	127	4	108	102	102	7	13
B04	100	45	178	191	248	216	102	153	4	133	111	92	12	23
B05	125	51	119	238	292	216	127	191	6	165	140	118	17	34
B06	150	51	254	280	330	267	153	216	6	191	140	121	18	54
B08	200	51	305	356	407	324	203	267	8	191	146	127	27	114
B10	250	57	356	429	483	375	254	318	8	292	146	127	32	200
B12	300	57	407	505	556	426	305	381	12	351	146	127	40	345

ALL UNITS ARE IN MILLIMETERS.



# H/F SERIES ORIFICE GATE VALVE



## SALINA VORTEX® CORPORATION

3024 Arnold Avenue Salina, Kansas 67401-8105

Telephone (785) 825-7177 Fax (785) 825-7194

Home Page: [www.vortexvalves.com](http://www.vortexvalves.com) / e-mail: [vortex@salinavortex.com](mailto:vortex@salinavortex.com)

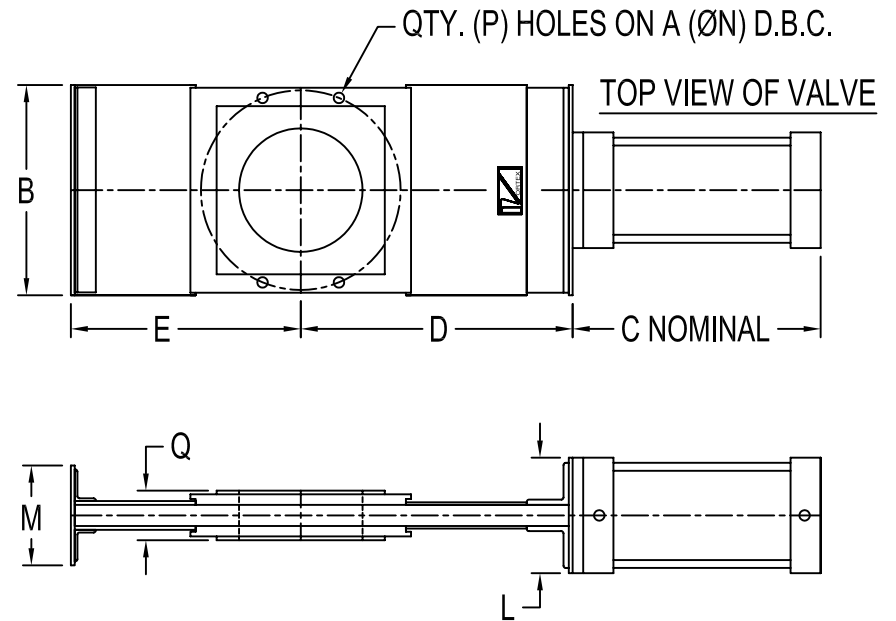
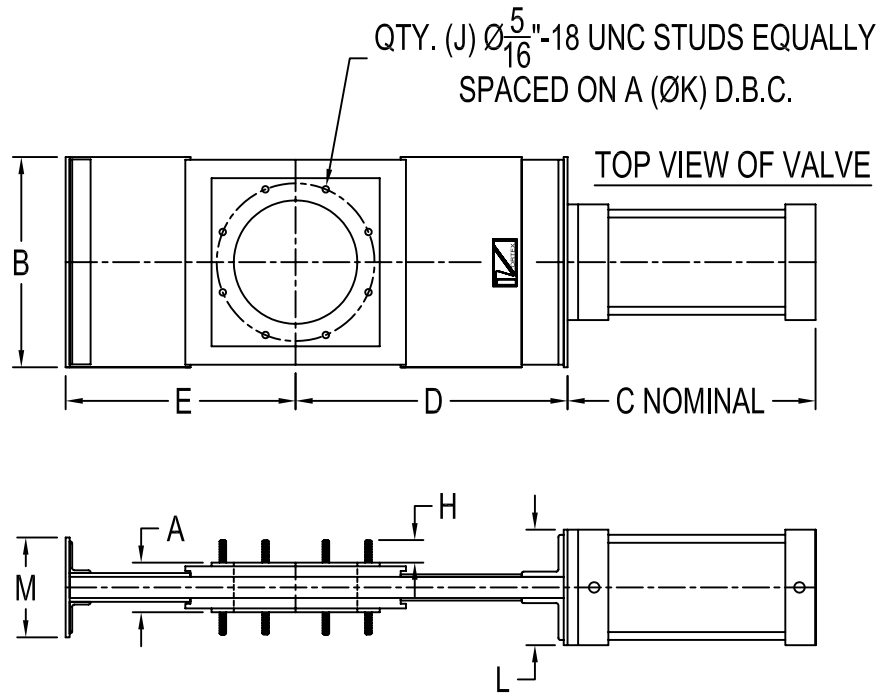
MODEL: H/F (SIZE)

DIMENSIONAL INFORMATION PAGE 1 OF 1

Model	Gate Size	A	B	C	D	E	F	G	H	J	K	L	M	N	P	Q	WT. (Kg.)	Nominal Flow Rate
H02/F02	51	48	146	159	165	118	51	114	29	4	100	95	92	121	2	51	7	4 CM/Hr.
H03/F03	76	48	178	203	207	153	76	140	29	4	127	111	92	153	2	51	11	13
H04/F04	102	54	203	229	261	197	102	165	29	6	140	140	127	191	4	57	17	23
H05/F05	127	61	229	267	292	235	127	191	29	8	165	140	118	216	4	64	19	34
H06/F06	153	61	254	299	330	280	153	216	29	8	191	140	121	241	4	64	22	54
H08/F08	203	61	305	350	407	356	203	267	29	8	241	146	127	300	4	64	28	114
H10/F10	254	67	356	426	483	429	305	381	29	8	292	146	127	362	4	70	43	200
H12/F12	305	67	407	476	556	505	305	381	29	12	351	172	127	432	4	70	53	345
H14/F14	356	67	457	527	664	584	356	432	29	12	407	191	121	N/A	N/A	N/A	67	570

ALL UNITS ARE IN MILLIMETERS.

### OPTIONAL -P MODIFICATION



# F-AP SERIES ORIFICE GATE VALVE



## SALINA VORTEX® CORPORATION

3024 Arnold Avenue Salina, Kansas 67401-8105

Telephone (785) 825-7177 Fax (785) 825-7194

Home Page: [www.vortexvalves.com](http://www.vortexvalves.com) / e-mail: [vortex@salinavortex.com](mailto:vortex@salinavortex.com)

MODEL: F(SIZE)-AP

DIMENSIONAL INFORMATION PAGE 1 OF 1

Model	Gate Size	A	B	C	D	E	F*	G	H	J	K	L	M	N	P**	WT. (Kg.)	Nominal Flow Rate
F02-AP	51	76	146	159	165	118	48	146	16	4	121	95	92	5/8-11UNC	45	12	4 CM/Hr.
F03-AP	76	76	178	203	207	152	73	191	16	4	153	114	95	5/8-11UNC	45	18	13
F04-AP	102	76	203	229	261	197	100	229	16	8	191	121	121	5/8-11UNC	45	23	23
F05-AP	127	83	229	267	292	235	124	254	16	8	216	121	121	3/4-10UNC	45	27	34
F06-AP	153	83	254	300	330	280	150	280	16	8	241	146	121	3/4-10UNC	45	32	54
F08-AP	203	83	305	350	406	256	200	343	16	8	300	146	127	3/4-10UNC	45	41	114
F10-AP	254	95	356	400	483	432	251	407	19	12	362	146	127	7/8-9UNC	45	61	200
F12-AP	305	95	407	451	559	508	302	482	19	12	432	146	127	7/8-9UNC	45	75	345
F14-AP	356	105	457	527	664	584	352	533	19	12	476	191	127	1-8UNC	45	102	570

ALL UNITS ARE IN MILLIMETERS.

