

B SERIES ORIFICE GATE VALVE



SALINA VORTEX® CORPORATION

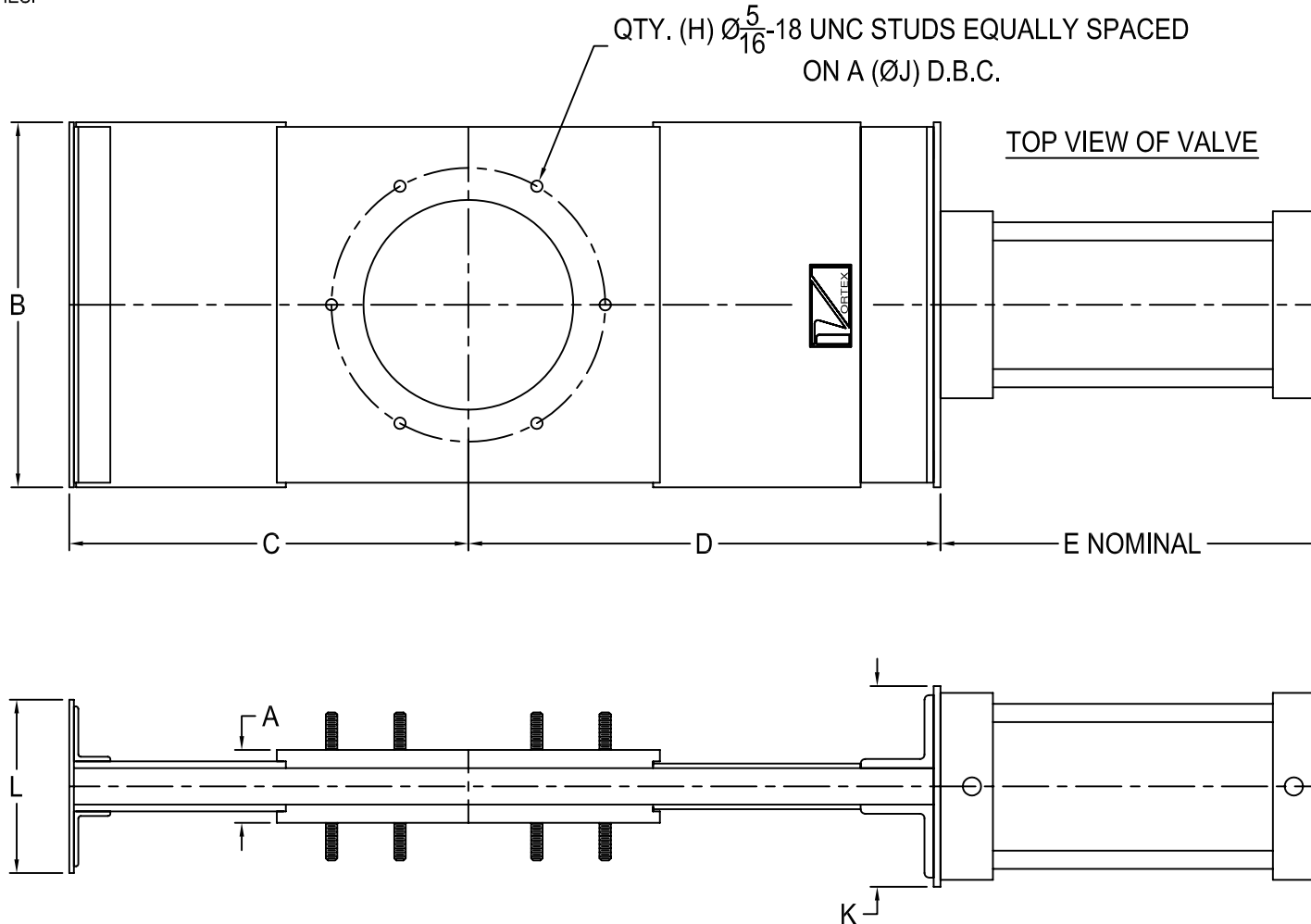
3024 Arnold Avenue Salina, Kansas 67401-8105
 Telephone (785) 825-7177 Fax (785) 825-7194
 Home Page: www.vortexvalves.com / e-mail: vortex@salinavortex.com

MODEL: B (SIZE)

DIMENSIONAL INFORMATION PAGE 1 OF 1

Model	Gate Size	A	B	C	D	E	F	G	H	J	K	L	WT. (Lbs.)	Nominal Flow Rate
B02	2	1 3/4	5	4 1/2	6 1/4	5 3/4	2	4	4	3 1/4	4	3 5/8	12	150 CF/Hr.
B03	3	1 3/4	6	6	7 5/8	6 3/4	3	5	4	4 1/4	4	4	15	450
B04	4	1 3/4	7	7 1/2	9 3/4	8 1/2	4	6	4	5 1/4	4 3/8	3 5/8	26	800
B05	5	2	9	9 3/8	11 1/2	8 1/2	5	7 1/2	6	6 1/2	5 1/2	4 5/8	38	1200
B06	6	2	10	11	13	10 1/2	6	8 1/2	6	7 1/2	5 1/2	4 3/4	40	1900
B08	8	2	12	14	16	12 3/4	8	10 1/2	8	7 1/2	5 3/4	5	60	4000
B10	10	2 1/4	14	16 7/8	19	14 3/4	10	12 1/2	8	11 1/2	5 3/4	5	70	7000
B12	12	2 1/4	16	19 7/8	21 7/8	16 3/4	12	15	12	13 13/16	5 3/4	5	87	12200

ALL UNITS ARE IN INCHES.



H/F SERIES ORIFICE GATE VALVE



SALINA VORTEX® CORPORATION

3024 Arnold Avenue Salina, Kansas 67401-8105

Telephone (785) 825-7177 Fax (785) 825-7194

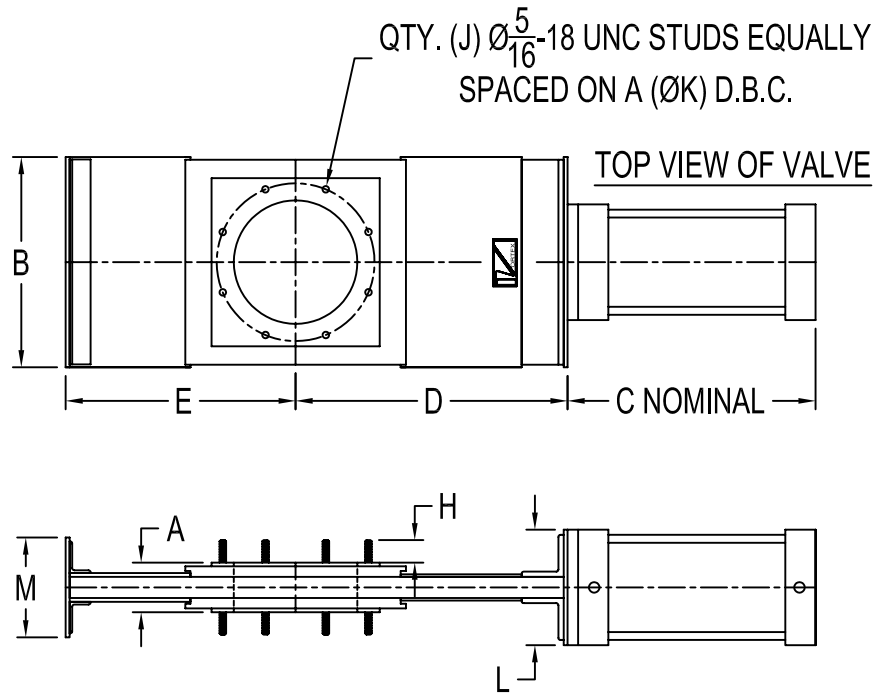
Home Page: www.vortexvalves.com / e-mail: vortex@salinavortex.com

MODEL: H/F (SIZE)

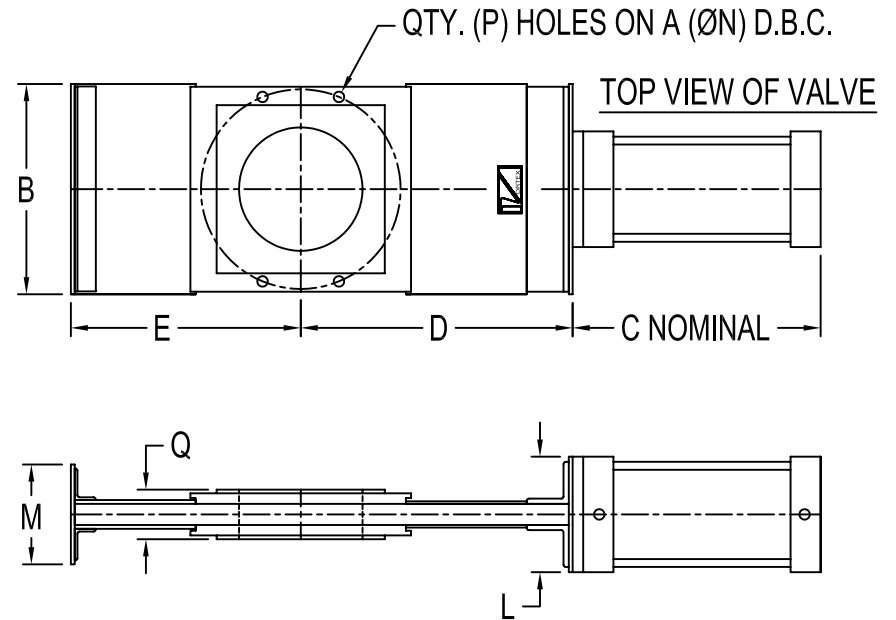
DIMENSIONAL INFORMATION PAGE 1 OF 1

Model	Gate Size	A	B	C	D	E	F	G	H	J	K	L	M	N	P	Q	WT. (Lbs.)	Nominal Flow Rate
H02/F02	2	1 7/8	5 3/4	6 1/4	6 1/2	4 5/8	2	4 1/2	1 1/8	4	3 7/8	3 3/4	3 5/8	4 3/4	2	2	14	150 CF/Hr.
H03/F03	3	1 7/8	7	8	8 1/8	6	3	5 1/2	1 1/8	4	5	4 3/8	3 5/8	6	2	2	24	450
H04/F04	4	2 1/8	8	9	10 1/4	7 3/4	4	6 1/2	1 1/8	6	5 1/2	5 1/2	5	7 1/2	4	2 1/4	38	800
H05/F05	5	2 3/8	9	10 1/2	11 1/2	9 1/4	5	7 1/2	1 1/8	8	6 1/2	5 1/2	4 5/8	8 1/2	4	2 1/2	41	1200
H06/F06	6	2 3/8	10	11 3/4	13	11	6	8 1/2	1 1/8	8	7 1/2	5 1/2	4 3/4	9 1/2	4	2 1/2	48	1900
H08/F08	8	2 3/8	12	13 3/4	16	14	8	10 1/2	1 1/8	8	9 1/2	5 3/4	5	11 3/4	4	2 1/2	62	4000
H10/F10	10	2 5/8	14	16 3/4	19	16 7/8	12	15	1 1/8	8	11 1/2	5 3/4	5	14 1/4	4	2 3/4	95	7000
H12/F12	12	2 5/8	16	18 3/4	21 7/8	19 7/8	12	15	1 1/8	12	13 13/16	6 3/4	5	17	4	2 3/4	116	12200
H14/F14	14	2 5/8	18	20 3/4	26 1/8	23	14	17	1 1/8	12	16	7 1/2	4 3/4	--	--	--	146	20000

ALL UNITS ARE IN INCHES.



OPTIONAL -P MODIFICATION



F-AP SERIES ORIFICE GATE VALVE



SALINA VORTEX® CORPORATION

3024 Arnold Avenue Salina, Kansas 67401-8105

Telephone (785) 825-7177 Fax (785) 825-7194

Home Page: www.vortexvalves.com / e-mail: vortex@salinavortex.com

MODEL: F(SIZE)-AP

DIMENSIONAL INFORMATION PAGE 1 OF 1

Model	Gate Size	A	B	C	D	E	F	G	H	J	K	L	M	N	P	WT. (Lbs.)	Nominal Flow Rate
F02-AP	2	3	5 3/4	6 1/4	6 1/2	4 5/8	1 7/8	5 3/4	5/8	4	4 3/4	3 3/4	3 5/8	5/8-11UNC	1 3/4	25	150
F03-AP	3	3	7	8	8 1/8	6	2 7/8	7 1/2	5/8	4	6	4 1/2	3 3/4	5/8-11UNC	1 3/4	40	450
F04-AP	4	3	8	9	10 1/4	7 3/4	3 7/8	9	5/8	8	7 1/2	4 3/4	4 3/4	5/8-11UNC	1 3/4	50	800
F05-AP	5	3 1/4	9	10 1/2	11 1/2	9 1/4	4 7/8	10	5/8	8	8 1/2	4 3/4	4 3/4	3/4-10UNC	1 3/4	60	1200
F06-AP	6	3 1/4	10	11 3/4	13	11	5 7/8	11	5/8	8	9 1/2	5 3/4	4 3/4	3/4-10UNC	1 3/4	70	1900
F08-AP	8	3 1/4	12	13 3/4	16	14	7 7/8	13 1/2	5/8	8	11 3/4	5 3/4	5	3/4-10UNC	1 3/4	90	4000
F10-AP	10	3 3/4	14	15 3/4	19	17	9 7/8	16	3/4	12	14 1/4	5 3/4	5	7/8-9UNC	1 3/4	135	7000
F12-AP	12	3 3/4	16	17 3/4	22	20	11 7/8	19	3/4	12	17	5 3/4	5	7/8-9UNC	1 3/4	165	12200
F14-AP	14	4 1/8	18	20 3/4	26 1/8	23	13 7/8	21	3/4	12	18 3/4	7 1/2	5	1-8UNC	1 3/4	225	20000

ALL UNITS ARE IN INCHES.

