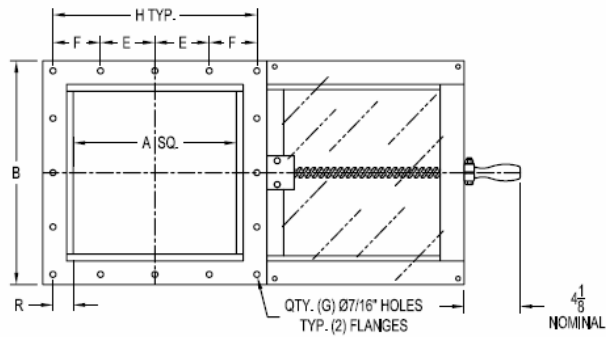


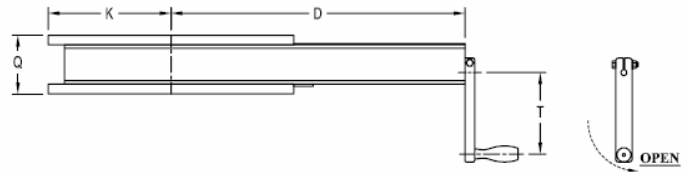
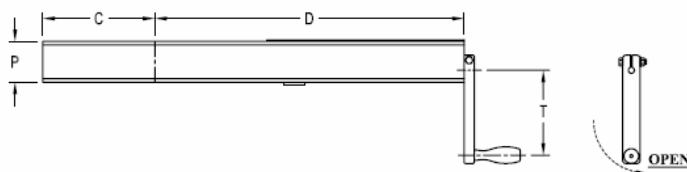
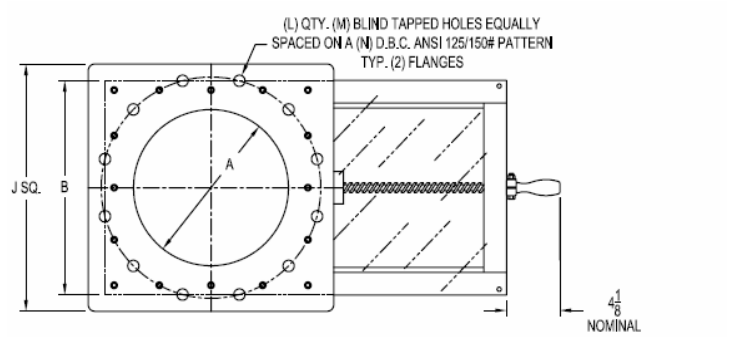
VORTEX® MAINTENANCE GATE DIMENSIONAL INFORMATION

All dimensions are in inches.

Square Hand Crank Model - MSC



Round Hand Crank Model - MRC



Information subject to change without notice.

ITEM ID	A	B	C	D	E	F	G	H	J	K	L	M	N	P	Q	R	T	APPROX WEIGHT (MSC)	APPROX WEIGHT (MRC)
06	6	10.5	5.25	13.75	4.5	-	8	9	11	5.5	8	.75 NC	9.5	3	4.5	1.5	4.5	15 LBS	76 LBS
08	8	12.5	6.25	16.75	5.5	-	8	11	13.5	6.75	8	.75 NC	11.75	3	4.5	1.5	4.5	23 LBS	82 LBS
10	10	14.5	7.25	19.75	3.25	-	16	13	16	8	12	.88 NC	14.25	3	4.5	1.5	6.25	30 LBS	100 LBS
12	12	16.5	8.25	22.75	4	3.5	16	15	19	9.5	12	.88 NC	17	3	4.5	1.5	6.25	35 LBS	130 LBS
14	14	18.5	9.25	25.75	4.25	-	16	17	21	10.5	12	1 NC	18.75	3	4.5	1.5	6.25	42 LBS	165 LBS
16	16	21.5	10.75	28.75	4.75	-	16	19	23.5	11.75	16	1 NC	21.25	4	5.5	1.5	8.25	49 LBS	201 LBS

VALVE MODIFICATIONS

S	FOR 316L STAINLESS STEEL MATERIAL CONTACT ON ALL SQUARE MODELS.
SC	FOR 304L STAINLESS STEEL MATERIAL CONTACT ON ROUND MODELS.
S-SC	FOR 316L STAINLESS STEEL MATERIAL CONTACT ON ROUND MODELS.
HT4	APPLICATIONS REQUIRING 400° F CONTINUOUS SERVICE TO 450° F INTERMITTENT SERVICE.
WS	INCORPORATES AN ELECTRO-POLISHED BLADE AND PET PRESSURE PLATE SEALS FOR HANDLING STICKY MATERIALS OR APPLICATIONS THAT REQUIRE WATER WASHDOWN.

ACCESSORIES

- SQUARE, RECTANGLE, OR ROUND TRANSITIONS
- SPECIAL SERVICE INLET
- HAND CRANK OR CHAIN WHEEL ACTUATION
- PROXIMITY INDICATION SWITCHES ONLY
- CUSTOM BOLT PATTERN
- AVAILABLE IN ALUMINUM CHANNEL FRAME ONLY