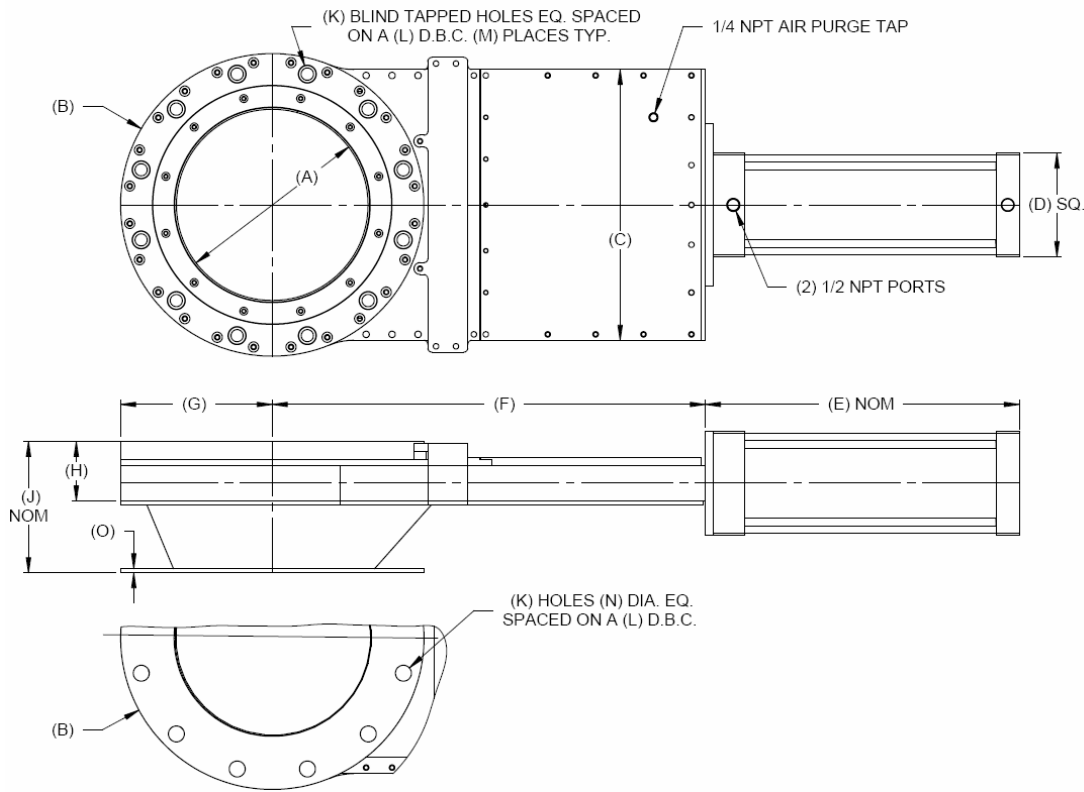


VORTEX® HDP® SLIDE GATE DIMENSIONAL INFORMATION

All dimensions are in inches.



Information subject to change without notice.

ITEM ID	A	B	C	D	E	F	G	H	J	K	L	M	N	O	APPROX WEIGHT	AIR USAGE AT 80 PSIG	NOMINAL FLOW RATE
HDP04	4	9	9	5.13	10.5	13.75	4.5	3.75	7.75	5/8-11X.75	7.5	8	.75	.25	75 LBS	.33 SCF	800CF/HR
HDP06	6	11	11	5.5	12.75	16.63	5.5	3.75	7.75	3/4-10 X 1	9.5	8	.88	.25	100 LBS	.55 SCF	1900 CF/HR
HDP08	8	13.5	13	5.5	14.75	20	6.75	3.75	7.75	3/4-10 X 1	11.75	8	.88	.25	130 LBS	.70 SCF	4000 CF/HR
HDP10	10	16	15	6.5	17.75	23.75	8	3.75	7.75	3/4-10 X 1	14.25	12	.88	.25	175 LBS	1.21 SCF	7000 CF/HR
HDP12	12	19	17	6.5	19.75	27.13	9.5	3.75	8.25	7/8-9 X 1	17	12	1	.25	225 LBS	1.42 SCF	12200 CF/HR
HDP14	14	21	20.5	8.5	22	31.63	10.5	4.5	9	1-8 X 1	18.75	12	1.13	.5	340 LBS	2.84 SCF	20000 CF/HR
HDP16	16	23.5	22.5	8.5	24.48	38.13	11.75	4.5	9	1-8 X 1	21.25	16	1.13	.5	425 LBS	3.20 SCF	30000 CF/HR

VALVE MODIFICATIONS

S	FOR 316L STAINLESS STEEL MATERIAL CONTACT.
SC	FOR 304 STAINLESS STEEL METAL TO MATERIAL CONTACT.
MG	MAGNETIC RING AIR CYLINDER ACTIVATES MAGNETIC REED POSITION INDICATION SWITCH.
HT4	APPLICATIONS REQUIRING 400° F CONTINUOUS SERVICE TO 450° F INTERMITTENT SERVICE.
PET	PET BLADE GUIDES FOR HANDLING STICKY MATERIALS OR APPLICATIONS THAT REQUIRE WATER WASHDOWN.
DIN	INLET AND OUTLET DIN FLANGE CONNECTIONS.
SSI	SPECIAL SERVICE INLET FOR PROTECTION OF SEALS WHEN CLOSING ON OR HANDLING HRD OR ABRASIVE MATERIALS.

ACCESSORIES

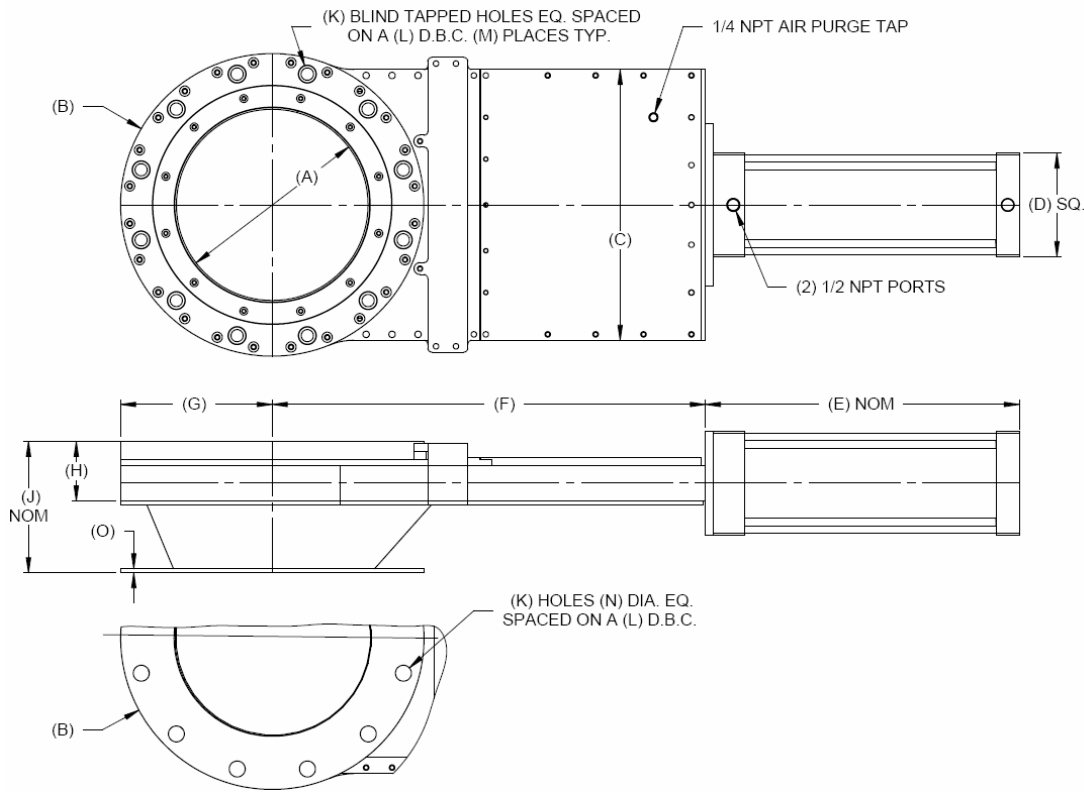
- PRE-WIRED PUSH BUTTON CONTROL PANEL
- NEMA 4, NEMA 7/9, OR ATEX RATED DOUBLE OR SINGLE SOLENOIDS
- ELECTRIC OR AIR ACTUATION
- PROXIMITY OR MAGNETIC REED INDICATION SWITCHES
- VENTED BALL VALVE
- AVAILABLE IN ALUMINUM, CARBON STEEL, OR STAINLESS STEEL

Copyright©2006 Salina Vortex® Corporation. All Rights Reserved. HDP09-2006.

For more information, please contact Vortex® at 1.888.829.7821 or visit our website at www.vortexvalves.com

VORTEX® HDP® SLIDE GATE DIMENSIONAL INFORMATION

All dimensions are in inches.



Information subject to change without notice.

ITEM ID	A	B	C	D	E	F	G	H	J	K	M	N	O	APPROX WEIGHT	AIR USAGE AT 55 BAR	NOMINAL FLOW RATE
HDP100	101	229	229	130	267	349	114	95	197	M16	8	481	152	34 KG	.33 SCF	800CF/HR
HDP150	152	279	279	140	324	422	140	95	197	M20	8	254	152	45 KG	.55 SCF	1900 CF/HR
HDP200	203	343	330	140	375	508	171	95	197	M20	8	254	6	59 KG	.70 SCF	4000 CF/HR
HDP250	254	406	381	165	451	603	203	95	197	M20	12	254	6	80 KG	1.21 SCF	7000 CF/HR
HDP300	305	283	432	165	502	689	241	95	209	M20	12	635	6	102 KG	1.42 SCF	12200 CF/HR
HDP350	356	533	521	216	559	803	267	114	229	M20	12	737	13	155 KG	2.84 SCF	20000 CF/HR
HDP400	406	597	572	216	621	968	298	114	229	M24	16	737	13	193 KG	3.20 SCF	30000 CF/HR

VALVE MODIFICATIONS

S	FOR 316L STAINLESS STEEL MATERIAL CONTACT.
SC	FOR 304 STAINLESS STEEL METAL TO MATERIAL CONTACT.
MG	MAGNETIC RING AIR CYLINDER ACTIVATES MAGNETIC REED POSITION INDICATION SWITCH.
HT4	APPLICATIONS REQUIRING 400° F CONTINUOUS SERVICE TO 450° F INTERMITTENT SERVICE.
PET	PET BLADE GUIDES FOR HANDLING STICKY MATERIALS OR APPLICATIONS THAT REQUIRE WATER WASHDOWN.
DIN	INLET AND OUTLET DIN FLANGE CONNECTIONS.
SSI	SPECIAL SERVICE INLET FOR PROTECTION OF SEALS WHEN CLOSING ON OR HANDLING HRD OR ABRASIVE MATERIALS.

ACCESSORIES

- PRE-WIRED PUSH BUTTON CONTROL PANEL
- NEMA 4, NEMA 7/9, OR ATEX RATED DOUBLE OR SINGLE SOLENOIDS
- ELECTRIC OR AIR ACTUATION
- PROXIMITY OR MAGNETIC REED INDICATION SWITCHES
- VENTED BALL VALVE
- AVAILABLE IN ALUMINUM, CARBON STEEL, OR STAINLESS STEEL

Copyright©2006 Salina Vortex® Corporation. All Rights Reserved. HDP09-2006.

For more information, please contact Vortex® at 1.888.829.7821 or visit our website at www.vortexvalves.com