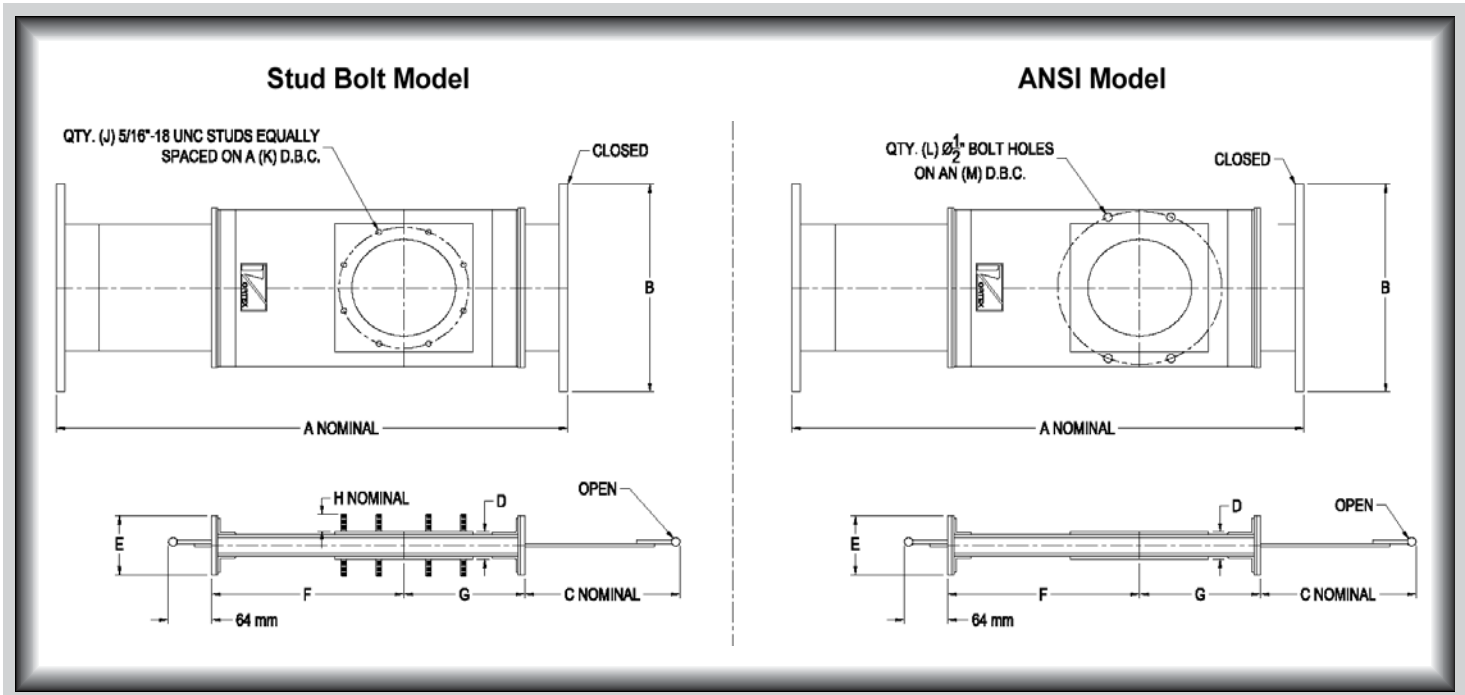




## VORTEX® HAND SLIDE ORIFICE GATE™ DIMENSIONAL INFORMATION



Model	A	B	C	D	E	F	G	H	J	K	ANSI Model L	ANSI Model M	WT (kg)
HS02	410	225	127	44	89	121	98	29	102	98	51	121	5
HS03	489	257	152	44	92	159	114	29	102	127	51	152	6
HS04	575	283	181	44	89	203	127	29	152	140	102	191	7
HS05	660	302	203	44	92	270	149	29	203	165	102	216	9
HS06	752	327	229	44	92	283	178	29	203	191	102	241	12
HS08	902	378	286	44	89	359	200	29	203	241	102	298	16
HS10	1057	429	330	44	92	438	225	32	203	292	102	362	27
HS12	1213	479	381	48	121	511	251	32	305	351	102	432	33

All dimensions are in mm, Information subject to change without notice.