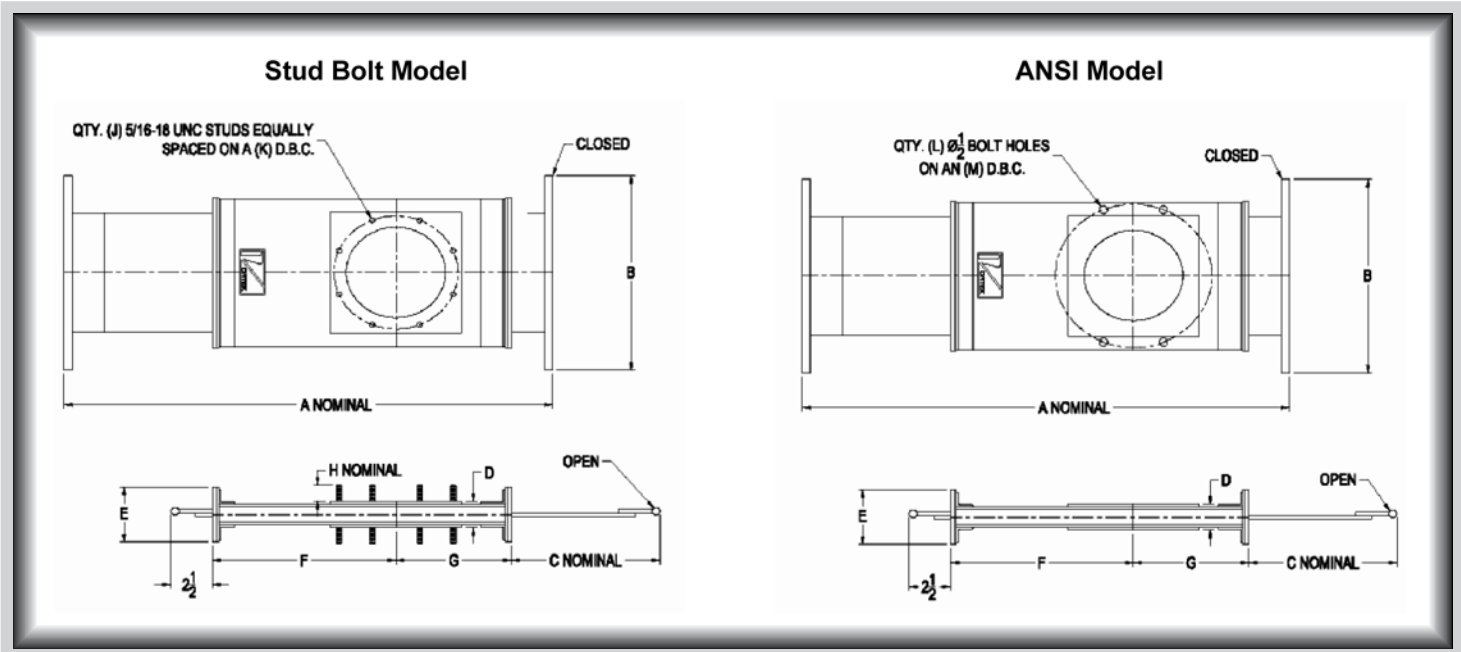




## VORTEX® HAND SLIDE ORIFICE GATE™ DIMENSIONAL INFORMATION



Model	A	B	C	D	E	F	G	H	J	K	ANSI Model L	ANSI Model M	WT (Lbs)
HS02	16 1/8	8 7/8	5	1 3/4	3 1/2	4 3/4	3 7/8	1 1/8	4	3 7/8	2	4 3/4	10
HS03	19 1/4	10 1/8	6	1 3/4	3 5/8	6 1/4	4 1/2	1 1/8	4	5	2	6	12
HS04	22 5/8	11 1/8	7 1/8	1 3/4	3 1/2	8	5	1 1/8	6	5 1/2	4	7 1/2	16
HS05	26	11 7/8	8	1 3/4	3 5/8	10 5/8	5 7/8	1 1/8	8	6 1/2	4	8 1/2	20
HS06	29 5/8	12 7/8	9	1 3/4	3 5/8	11 1/8	7	1 1/8	8	7 1/2	4	9 1/2	27
HS08	35 1/2	14 7/8	11 1/4	1 3/4	3 1/2	14 1/8	7 7/8	1 1/8	8	9 1/2	4	11 3/4	35
HS10	41 5/8	16 7/8	13	1 3/4	3 5/8	17 1/4	8 7/8	1 1/4	8	11 1/2	4	14 1/4	60
HS12	47 3/4	18 7/8	15	1 7/8	4 3/4	20 1/8	9 7/8	1 1/4	12	13 13/16	4	17	72

All dimensions are in inches, Information subject to change without notice.