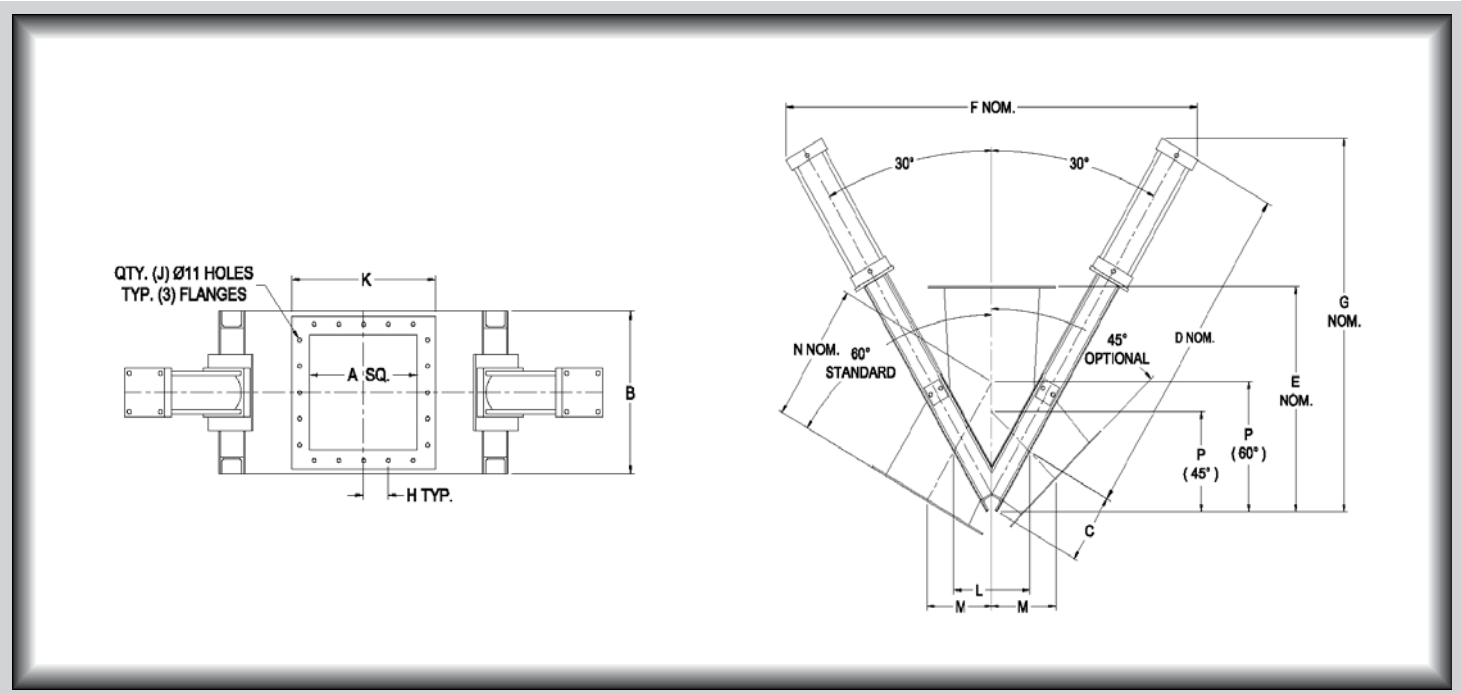




VORTEX® GRAVITY VEE DIVERTER™ DIMENSIONAL INFORMATION



Model	A	B	C	D	E	F	G	H	J	K	L	M (60°)	M (45°)	N (60°)	N (45°)	P (60°)	P (45°)	WT (kg)
V150-2(XX*) S-60-NR	152	279	133	645	441	835	718	105	8	254	165	146	149	292	213	260	200	63
V200-2(XX*) S-60-NR	203	330	159	772	530	987	864	89	12	305	191	162	168	324	235	305	235	77
V250-2(XX*) S-60-NR	254	381	184	899	610	1140	991	114	12	356	216	187	191	375	267	349	270	91
V300-2(XX*) S-60-NR	305	432	210	1026	679	1292	1124	70	20	406	241	208	206	416	289	391	305	104
V350-2(XX*) S-60-NR	356	483	235	1153	784	1445	1257	83	20	457	267	230	233	460	330	435	340	118
V400-2(XX*) S-60-NR	406	533	260	1280	899	1600	1372	95	20	508	295	237	241	397	340	483	375	131
V450-2(XX*) S-60-NR	457	584	286	1407	940	1775	1524	108	20	559	321	275	259	549	365	524	406	145

All dimensions are in mm, Information subject to change without notice.

*(XX) Material of construction, aluminum (AL), carbon steel (CS), or stainless steel (SS).