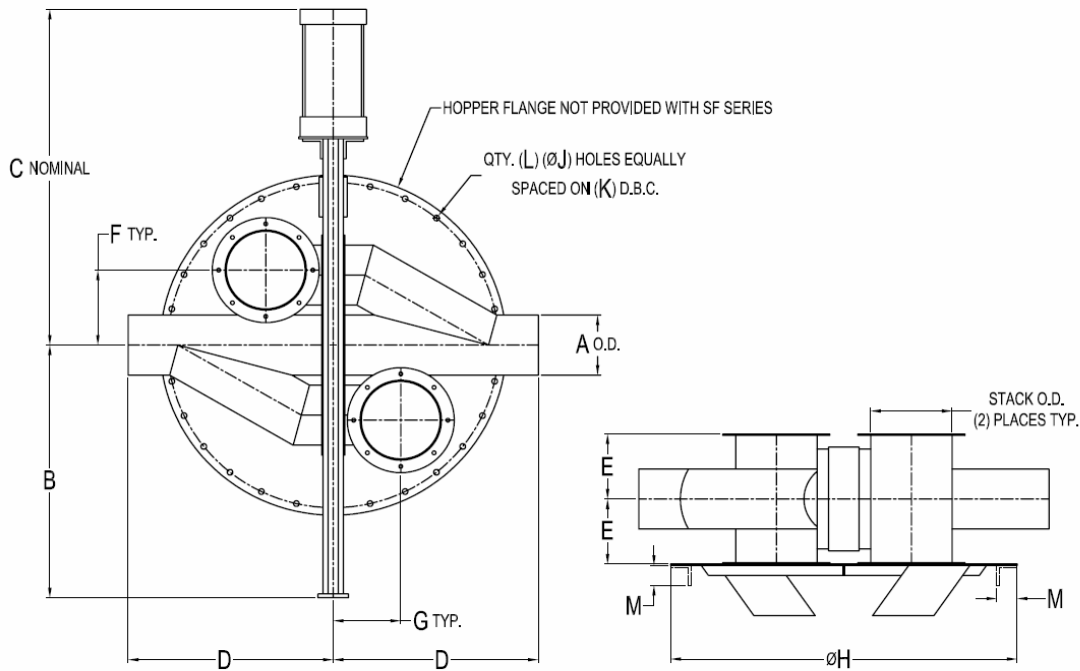


VORTEX[®] FILL PASS DIVERTER DIMENSIONAL INFORMATION

All dimensions are in inches.



Information subject to change without notice.

SERIES	ITEM ID	A	B	C	D	E	F	G	H	J	K	L	M
HOPPER COMPACT HC SERIES	D23-3SSHC	2	4-3/8	16-1/8	9-5/8	3-1/2	3	3	15-1/8	7/16	13-13/16	12	1-1/2
	D33-4SSHC	3	13-1/8	19-5/8	11-7/8	4	4	4	19-3/4	7/16	18-1/8	16	1-3/4
	D43-4SSHC	4	16-7/8	27-5/8	15-5/8	5	5	5	23-3/4	7/16	22-1/8	20	1-3/4
HOPPER STACKABLE HS SERIES	D23-6SSHS	2	4-3/8	16-1/8	9-5/8	3-1/2	6-1/2	6-5/8	30	7/16	28-1/2	24	2
	D23-8SSHS	2	9-3/8	16-1/8	9-5/8	3-1/2	7-1/2	6-5/8	34	7/16	32-1/2	28	2
	D33-6SSHS	3	13-1/8	19-5/8	11-7/8	4	6-1/2	6-5/8	30	7/16	28-1/2	24	2
	D33-8SSHS	3	13-1/8	19-5/8	11-7/8	4	7-1/2	6-5/8	34	7/16	32-1/2	28	2
	D43-6SSHS	4	16-7/8	27-5/8	15-5/8	5	6-1/2	6-5/8	30	7/16	28-1/2	24	2
	D43-8SSHS	4	16-7/8	27-5/8	15-5/8	5	7-1/2	6-5/8	34	7/16	32-1/2	28	2
	D53-8SSHS	5	21-3/4	30-1/8	17-5/8	6	7-1/2	6-5/8	34	7/16	32-1/2	28	2
	D63-8SSHS	6	25-1/4	33-5/8	20-1/8	6-1/2	7-1/2	6-5/8	34	7/16	32-1/2	28	2
D83-10SSHS	8	36-5/8	44-1/2	23-1/8	7-1/2	11	9-1/8	48	9/16	46	30	2	
STACKABLE FLANGE SF SERIES	D23-6SSSF	2	9-3/8	16-1/8	9-5/8	3-1/2	6-1/2	6-5/8	-	-	-	-	-
	D23-8SSSF	2	9-3/8	16-1/8	9-5/8	3-1/2	7-1/2	6-5/8	-	-	-	-	-
	D33-6SSSF	3	13-1/8	19-5/8	11-7/8	4	6-1/2	6-5/8	-	-	-	-	-
	D33-8SSSF	3	13-1/8	19-5/8	11-7/8	4	7-1/2	6-5/8	-	-	-	-	-
	D43-6SSSF	4	16-7/8	27-5/8	15-5/8	5	6-1/2	6-5/8	-	-	-	-	-
	D43-8SSSF	4	16-7/8	27-5/8	15-5/8	5	7-1/2	6-5/8	-	-	-	-	-
	D53-8SSSF	5	21-3/4	30-1/8	17-5/8	6	7-1/2	6-5/8	-	-	-	-	-
	D63-8SSSF	6	25-1/4	33-5/8	20-1/8	6-1/2	7-1/2	6-5/8	-	-	-	-	-
D83-10SSSF	8	36-5/8	44-1/2	23-1/8	7-1/2	11	9-1/8	-	-	-	-	-	

VALVE MODIFICATIONS

S	FOR 316L STAINLESS STEEL MATERIAL CONTACT.
MG	MAGNETIC RING AIR CYLINDER ACTIVATES MAGNETIC REED POSITION INDICATION SWITCH.
SM	INCORPORATES AN ELECTRO-POLISHED BLADE AND PET PRESSURE PLATE SEALS FOR HANDLING STICKY MATERIALS OR APPLICATIONS THAT REQUIRE WATER WASHDOWN.
P1	SCHEDULE 10 PIPE INLET AND OUTLETS.
P4	SCHEDULE 40 PIPE INLET AND OUTLETS.

ACCESSORIES

- PRE-WIRED TERMINAL BOXES
- NEMA 4, NEMA 7/9, OR ATEX RATED DOUBLE OR SINGLE SOLENOIDS
- AIR ACTUATION ONLY
- MAGNETIC REED INDICATION SWITCHES ONLY
- VENTED BALL VALVE
- AIR PURGE ASSEMBLY

Copyright©2006 Salina Vortex[®] Corporation. All Rights Reserved. FP09-2006.

For more information, please contact Vortex[®] at 1.888.829.7821 or visit our website at www.vortexvalves.com