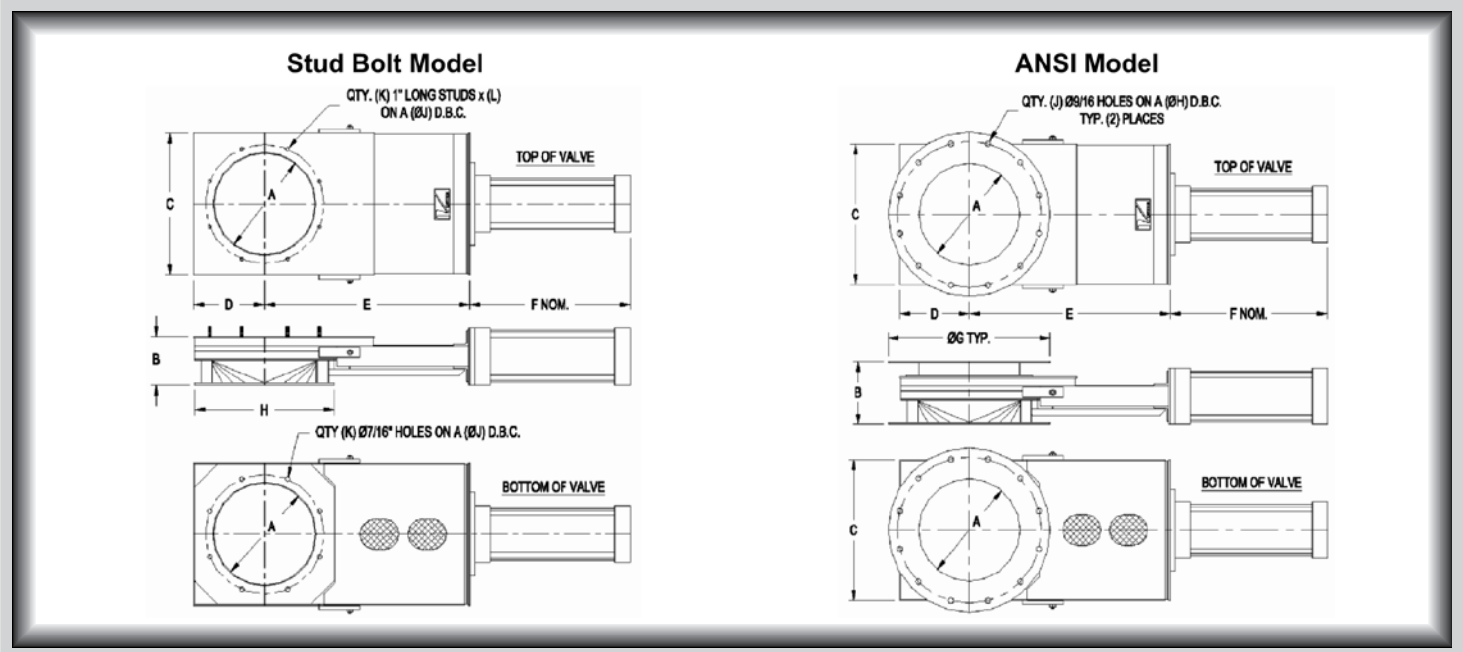




VORTEX® CLEAR ACTION GATE™ DIMENSIONAL INFORMATION



Stud Bolt Model	A	B	C	D	E	F	G	H	J	K	L	WT (Lbs)
JA06	5 7/8	3 3/4	9 3/4	4 7/8	13 7/8	11 5/8	6	9 1/2	7 1/2	8	5/16 UNC	55
JA08	7 7/8	3 3/4	11 3/4	5 7/8	16 7/8	13 5/8	8	11 1/2	9 1/2	8	5/16 UNC	65
JA10	9 7/8	4 5/8	13 3/4	6 7/8	19 7/8	16 1/2	10	13 1/2	11 1/2	8	5/16 UNC	75
JA12	11 7/8	5 3/8	15 3/4	7 7/8	22 7/8	18 3/4	12	15 1/2	13 13/16	12	5/16 UNC	90
JA14	13 7/8	5 7/8	17 3/4	8 7/8	25 7/8	20 1/2	14	17 1/2	15 13/16	12	3/8 UNC	130
JA16	15 7/8	6 3/8	19 1/2	9 3/4	29	22 3/4	16	19 1/2	18	16	3/8 UNC	165

ANSI Model	A	B	C	D	E	F	G	H	J	WT (Lbs)
JA06-P	5 7/8	5 1/4	9 3/4	4 7/8	13 7/8	11 1/2	11	9 1/2	8	60
JA08-P	7 7/8	5 1/4	11 3/4	5 7/8	16 7/8	13 1/2	13 1/2	11 3/4	8	70
JA10-P	9 7/8	6 1/8	13 3/4	6 7/8	19 7/8	16 1/2	16	14 1/4	12	80
JA12-P	11 7/8	6 3/8	15 3/4	7 7/8	22 7/8	18 3/4	19	17	12	100
JA14-P	13 7/8	7 1/4	17 3/4	8 7/8	25 7/8	20 1/2	21	18 3/4	12	140
JA16-P	15 7/8	7 7/8	19 1/2	9 3/4	29	22 3/4	23 1/2	21 1/4	16	180

All dimensions are in inches, Information subject to change without notice.

G & H Dimensions are for I.D and O.D of mating flange, respectively