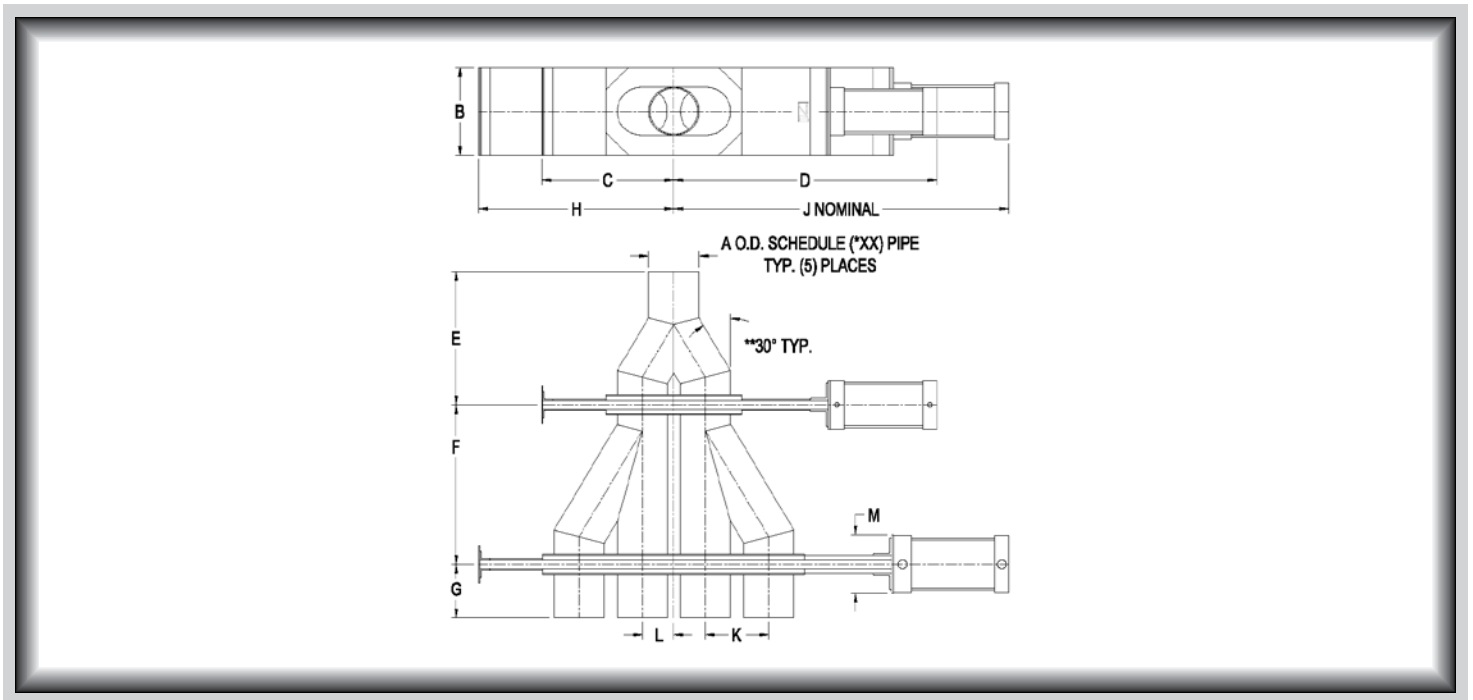




Valves

Handling the world's dry bulk solids®

VORTEX® 4-WAY WYE LINE DIVERTER™ DIMENSIONAL INFORMATION



Tube Model	A	B	C	D	E	F	G	H	J	K	L	M
D2-4(XX)Y	51	133	146	359	184	203	105	210	445	64	32	114
D3-4(XX)Y	76	152	197	454	219	276	105	286	521	89	44	140
D4-4(XX)Y	102	184	267	584	267	337	105	394	759	127	64	178
D5-4(XX)Y	127	229	324	664	321	394	130	476	841	152	76	178
D6-4(XX)Y	152	254	375	740	429	464	130	552	943	178	89	178

Pipe Model	A	B	C	D	E	F	G	H	J	K	L	M
D2-4(XX)Y-P*	60	159	197	454	257	254	137	279	552	89	44	140
D3-4(XX)Y-P*	89	184	267	584	324	337	156	394	737	127	64	178
D4-4(XX)Y-P*	114	229	324	664	349	394	156	476	841	152	76	178
D5-4(XX)Y-P*	141	254	375	740	352	464	130	552	943	178	89	178
D6-4(XX)Y-P*	168	292	549	997	394	441	178	772	1251	254	127	178

All dimensions are in mm, Information subject to change without notice.

(XX) Material of construction, aluminum (AL), carbon steel (CS), or stainless steel (SS).

*Select pipe schedule 10, 20, or 40.

** D6 model has 45° angle.