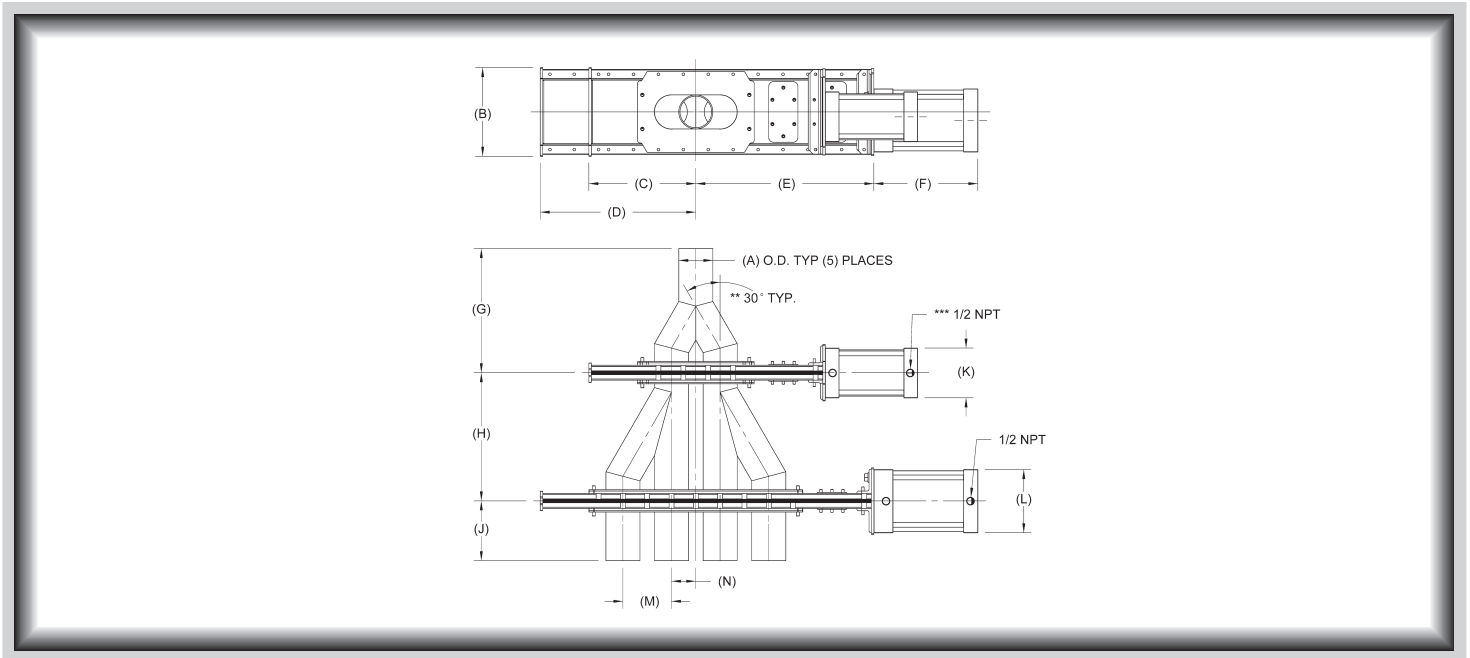




Valves

Handling the world's dry bulk solids®

VORTEX® 4-WAY WYE LINE DIVERTER™ DIMENSIONAL INFORMATION



Tube Model	A	B	C	D	E	F	G	H	J	K	L	M	N
DR2-4(XX)	2	7 1/8	6 1/2	9	10 3/4	7	7 1/4	8	4 1/8	3 1/2	4 1/8	2 1/2	1 1/4
DR2.5-4(XX)	2 1/2	8 1/8	8 1/2	12	14 1/2	8	8 5/8	10	4 1/8	4 1/8	5 1/8	3 1/2	1 3/4
DR3-4(XX)	3	8 1/8	8 1/2	12	14 1/2	8	8 5/8	10	4 1/8	4 1/8	5 1/8	3 1/2	1 3/4
DR4-4(XX)	4	9 1/8	11	16	18 3/8	10 3/4	10 3/8	13 1/4	4 1/8	5 1/8	6 1/2	5	2 1/2
DR5-4(XX)	5	10 1/8	13	19 1/4	21 1/2	11 3/4	12 5/8	15 1/2	5 1/8	5 1/2	6 1/2	6	3
DR6-4(XX)	6	11 1/8	15	22 1/4	24 1/2	12 3/4	13 7/8	18 1/4	5 1/8	5 1/2	6 1/2	7	3 1/2

Pipe Model	A	B	C	D	E	F	G	H	J	K	L	M	N
DR2-4(XX)-P*	2 3/8	8 1/8	8 1/2	12	14 1/2	8	10 1/8	10	5 1/8	4 1/8	5 1/8	3 1/2	1 3/4
DR2.5-4(XX)-P*	2 7/8	8 1/8	8 1/2	12	14 1/2	8	10 1/8	10	5 1/8	4 1/8	5 1/8	3 1/2	1 3/4
DR3-4(XX)-P*	3 1/2	9 1/8	11	16	18 3/8	10 1/2	12 3/4	13 1/4	6 1/8	5 1/8	6 1/2	5	2 1/2
DR4-4(XX)-P*	4 1/2	10 1/8	13	19 1/4	21 1/2	11 3/4	13 3/4	15 1/2	6 1/8	5 1/2	6 1/2	6	3
DR5-4(XX)-P*	5 9/16	11 1/8	15	22 1/4	24 1/2	12 3/4	15 1/4	18 1/4	6 1/8	5 1/2	6 1/2	7	3 1/2
DR6-4(XX)-P*	6 5/8	11 7/8	20 3/4	30 3/4	33 1/4	15 3/4	15 1/2	20 1/4	7 1/8	6 1/2	6 1/2	10	5

All dimensions are in inches. Information subject to change without notice.

(XX) Material of construction, aluminum (AL), carbon steel (CS), or stainless steel (SS).

* Select pipe schedule 10 or 40.

** 6" model has 45° angle.

*** 2" model has 3/8" NPT.