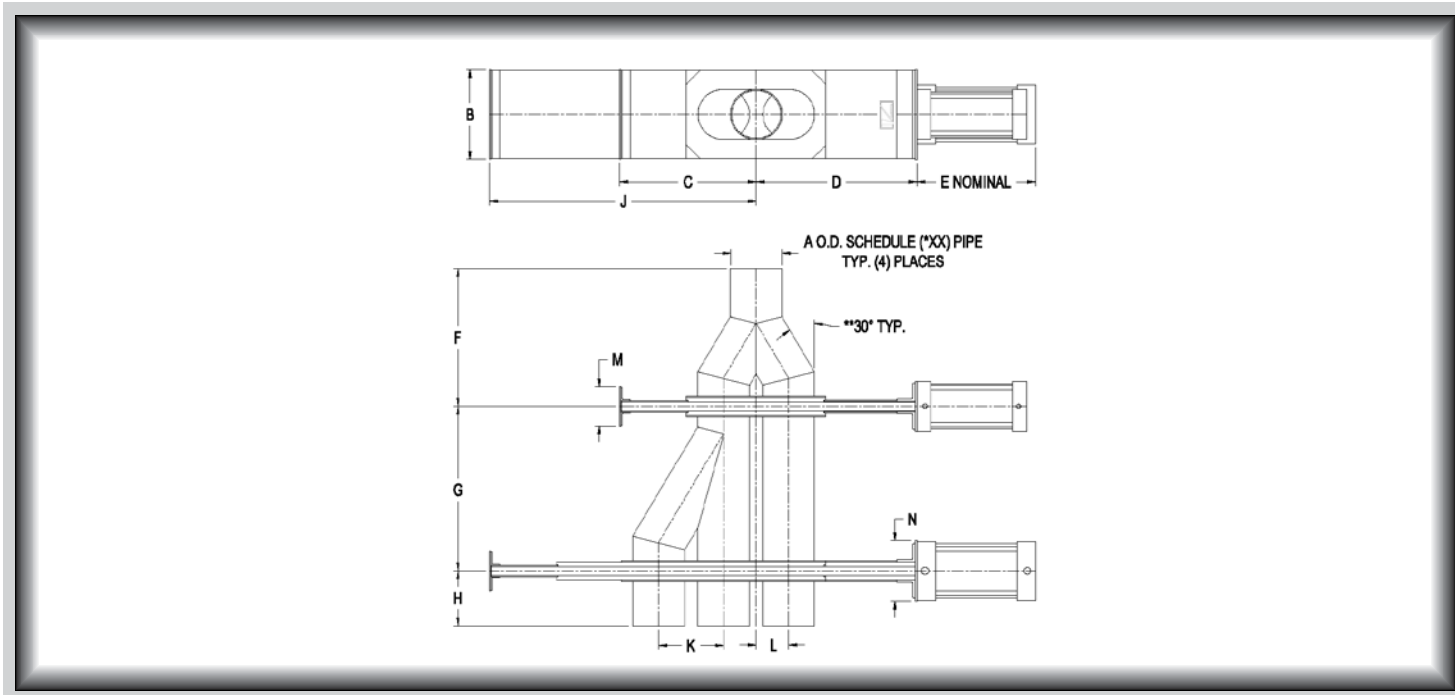




Valves

Handling the world's dry bulk solids®

VORTEX® 3-WAY WYE LINE DIVERTER™ DIMENSIONAL INFORMATION



Tube Model	A	B	C	D	E	F	G	H	J	K	L	M	N
D2-3(XX)Y	51	133	146	200	159	184	203	105	273	64	32	105	114
D3-3(XX)Y	76	152	197	251	203	219	254	105	375	89	44	117	111
D4-3(XX)Y	102	184	264	324	260	264	337	105	518	127	64	114	140
D5-3(XX)Y	127	225	324	391	267	321	394	130	619	152	76	111	171
D6-3(XX)Y	152	251	375	467	324	352	464	130	730	178	89	111	171

Pipe Model	A	B	C	D	E	F	G	H	J	K	L	M	N
D2-3(XX)Y-P*	60	152	197	251	203	257	254	130	375	89	44	117	140
D3-3(XX)Y-P*	89	184	264	324	264	324	337	156	518	127	64	114	165
D4-3(XX)Y-P*	114	225	321	391	298	346	384	156	629	152	76	111	171
D5-3(XX)Y-P*	141	251	375	441	302	387	464	156	730	178	89	111	171
D6-3(XX)Y-P*	168	292	549	597	400	394	441	178	1026	254	127	76	229

All dimensions are in mm, Information subject to change without notice.

(XX) Material of construction, aluminum (AL), carbon steel (CS), or stainless steel (SS).

*Select pipe schedule 10, 20, or 40.

** D6 model has 45° angle.