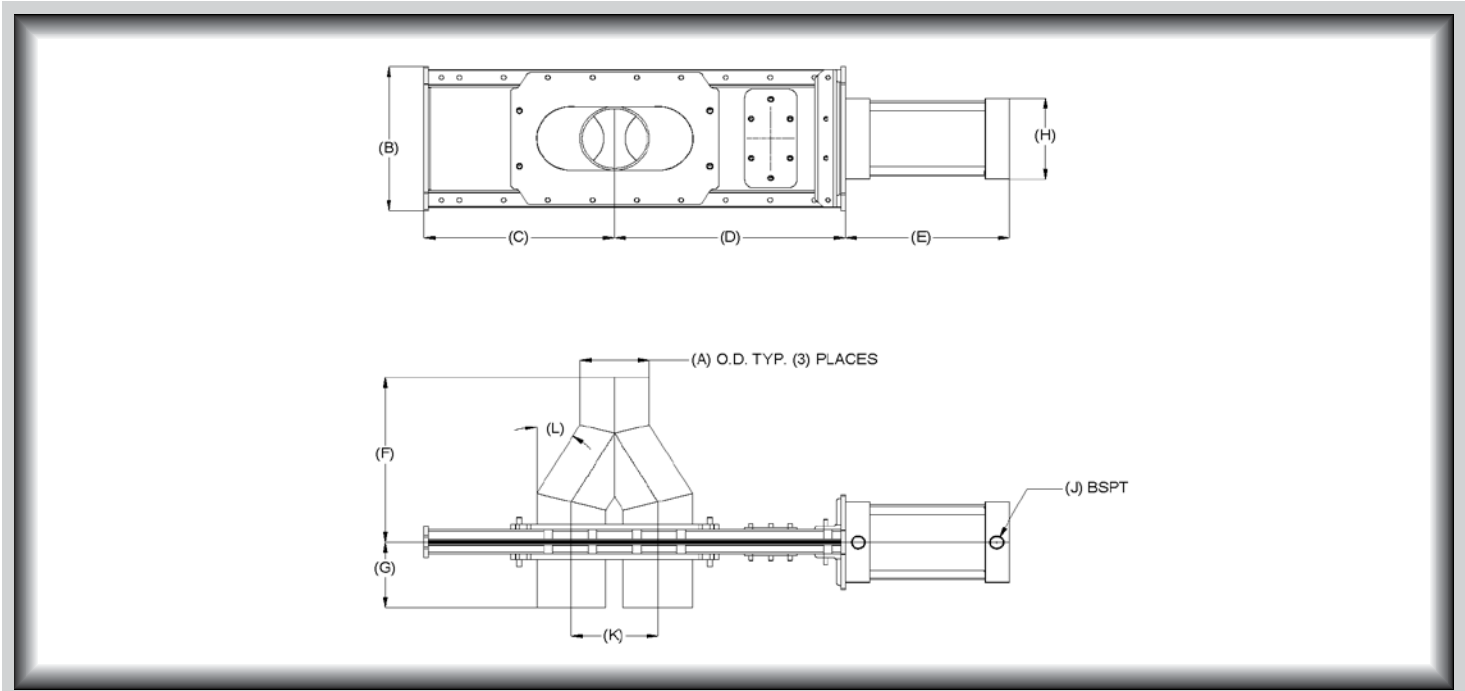




## VORTEX® 2-WAY WYE LINE DIVERTER™ DIMENSIONAL INFORMATION



Tube Model	A	B	C	D	E	F	G	H	J	K	L
DR50-2(XX)	51	181	165	210	159	184	108	89	10	64	30
DR65-2(XX)	64	206	216	279	203	203	108	105	13	89	30
DR75-2(XX)	76	206	216	279	203	222	108	105	13	89	30
DR100-2(XX)	102	232	279	340	241	267	108	130	13	127	30
DR125-2(XX)	127	257	330	394	273	324	133	140	13	152	30
DR150-2(XX)	152	283	381	445	298	356	133	140	13	178	30

Pipe Model	A	B	C	D	E	F	G	H	J	K	L
DR50-2(XX)-PXX*	60	206	216	279	203	260	121	105	13	89	30
DR65-2(XX)-PXX*	73	206	216	279	203	260	130	105	13	89	30
DR75-2(XX)-PXX*	89	232	279	340	241	327	159	130	13	127	30
DR100-2(XX)-PXX*	114	257	330	394	273	352	159	140	13	152	30
DR125-2(XX)-PXX*	143	283	381	445	298	387	165	140	13	178	30

All dimensions are in mm, Information subject to change without notice.

(XX) Material of construction, aluminum (AL), carbon steel (CS), or stainless steel (SS).

\*Select pipe schedule 10, 20, or 40.