



# Valves

Handling the world's dry bulk solids®

## VORTEX® 2-WAY FLEX TUBE DIVERTER™

The Vortex® Flex Tube Diverter™ is specifically engineered to handle dry bulk solids in vacuum or dilute phase pneumatic conveying systems up to 15 psig (1 barg). The unique design eliminates material cross contamination by a positive seal across the closed port and the elimination of internal ledges and pockets where material can lodge and remain trapped. A smooth unobstructed transition from inlet to outlet shields the wear compensating seals from abrasion. The Flex Tube Diverter™ is designed to eliminate problems, enabling you to meet your objectives by increasing production, while decreasing labor and equipment costs.

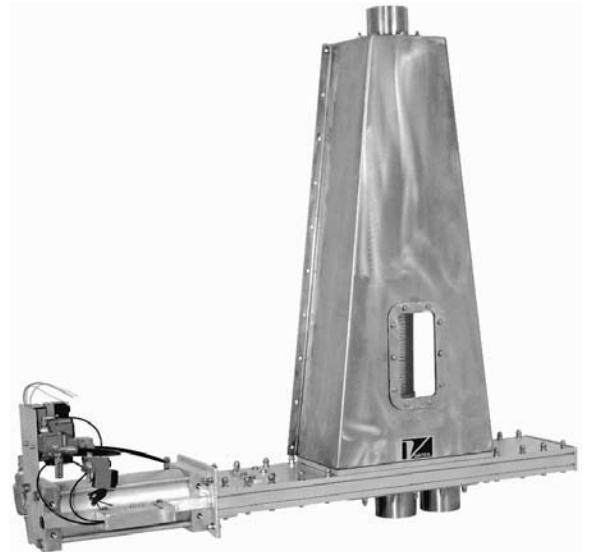
### Vortex® Flex Tube Diverter™ Features

- Improves Conveying Efficiency
- Smooth, Unobstructed Bore for Unrestricted Flow of Material
- Seals Protected from Abrasion
- Easy Installation and Maintenance



### Valve Specifications

Size/Bore Options	2", 2.5", 3", 4", 5", 6", and 8" Diameters, Pipe or Tube
Media	Powder, Pellets, Granulars
Connection Options	Compression Coupling, ANSI, DIN, JIS, Custom Flanges
Media Temperature	Up to 180°F continuous to 250°F intermittent service, Modifications allow up to 250°F continuous to 300°F intermittent service
Media Pressure	-0.1 MPa +0.1 MPa, 1 barg, 15 psig, depending on size
Metal Construction Options	304 or 316L Stainless Steel, Aluminum, and/or Carbon Steel
Seal/Seat Material Options	Nylon, PET, UHMW, Glass Filled Teflon, Rubber, and/or Silicon
Drive/Actuation Options	Double Acting Air Cylinder and Solenoid Operated Air Control Valve, Electric Actuator, or Hand Wheel
Position Confirmation	Magnetic Reed Switch or Proximity Switch
Compliance/Approvals	CE, ATEX, FDA
Industry Use	Plastics, Petrochemicals, Chemicals, Foods, Minerals, Textiles, Agriculture



### Application Specific Modifications

FS1	304 Stainless Steel directional flex hose is installed for material to run through the valve from one port to two ports.
FS2	304 Stainless Steel directional flex hose is installed for material to run through the valve from two ports to one port.
S	Material contact is 316L stainless steel.
MG	Air cylinder has a magnetic ring which activates a magnetic reed position indicating switch.
HT3	Modifications are made allowing 400°F continuous to 450°F intermittent service.
SM	Slide Blade is electro-polished. Polyethylene Terephthalate (PET) pressure plate seals replace Nylon.
P1/P4	Utilizing Schedule 10 or Schedule 40 Pipe.
OF 45/30	Inlets and outlets are flanged with ANSI, DIN or JIS connections. The outlet opposite the air cylinder is offset at 45 or 30 degrees.